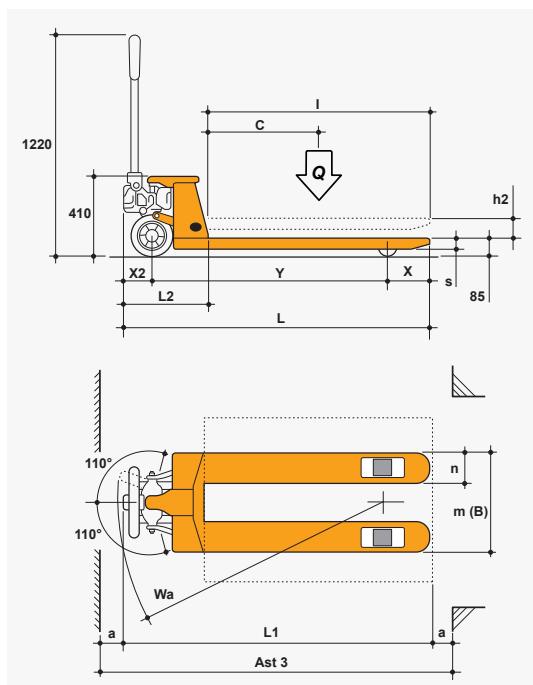


125 S/LT

Transpallet manuale.



Pos.		125 S/LT - T/LT
Q	t	2.5
c	mm	600
l	mm	1.150
L	mm	1.550
x	mm	220
x2	mm	150
Y	mm	1.180
L2	mm	400
L1	mm	1.550
m	mm	550
n	mm	160
B	mm	550
s	mm	55
h2	mm	115
a	mm	100
Wa	mm	1.350
Ast3	mm	1.835



OMG S.p.A.
 via dell'Artigianato, 12
 46023 - GONZAGA (MN) Italy
 Tel. + 39 0376 52.60.11
 Fax. + 39 0376 58.80.08
www.omgindustry.com
info@omgindustry.com

Azienda certificata
 ISO 9001:2000

